

BIBI 33BL-W EVO



TRACK BASED SCISSOR LIFT

BIBI 33BL-W EVO

The **ALL-NEW** Bibi 33BL-W Evo is the latest model in the impressive track-based Bibi series from Almac in Italy, - the scissor lift that can go where no other lift can!

Thanks to the revolutionary adjustable track system the unit will auto level both in driving and set-up position, front & rear and to the sides, representing unique application opportunities

Featuring 33 ft work height and a wider basket, the Bibi33BL-W Evo comes standard with a strong Kubota diesel making driving and set-up safe, easy and efficient.

Technical data	Bibi 33BL-W EVO
Basket capacity	661 lbs (2 persons)
Max working height	32.8 ft
Max height basket floor	26.2 ft
Moving height	22.9 ft
Powered	"KUBOTA Diesel Z602 12,5 kW"
Powered (option)	-
Powered (option)	-
Accelerator	Automatic
Undercarriage	Bi-Leveling
Basket leveling	Automatic
Leveling Front	+/- 15°
Leveling Rear	+/- 20°
Side leveling	+/- 14°
Power generator (option)	220V-1kW
Electric pump (option)	220V-2kW
Hydraulic controls	Proportional
Dynamic Levelling System	Yes
Pro-Active Levelling System	Yes
Direction-Control System	Yes
Easy-Drive System	Yes
Kit for high speed	max 1.7 mp/h
Ground emergency lowering system	Yes
Control of inclination	Automatic
Gradeability	25°
Side slope	21°
Length	89.9"
Width	57.5" ÷ 64.5"
Min. machine height with folded railings	82.5" (68.9")
Total weight	6393 lbs
Compliance	EN 280 : 2015



- Bi-leveling tracks (front, rear & side)

- 33ft work height

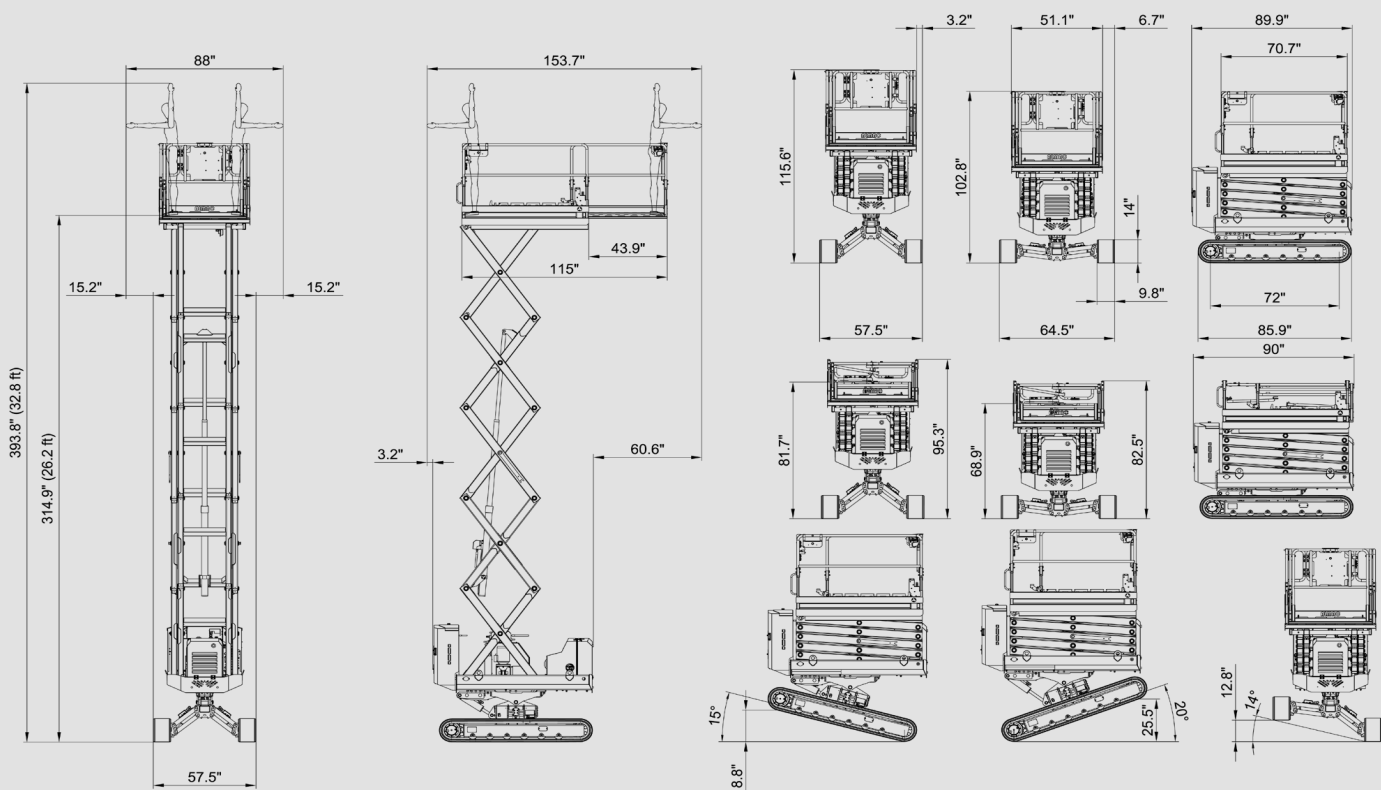
- 23ft drive height

- Auto leveling (drive and set-up)

- Kubota diesel

- Inclination control system

- New, wider basket



ALL DATA REPORTED IN THIS CATALOGUE ARE NOT BINDING. ALMAC SRL RESERVES THE RIGHT TO CHANGE SPECIFICATIONS WITHOUT PRIOR NOTICE.