



B59

BLUELIFT

BLUELIFT B59

The Bluelift B59 is everybody's darling, a top-seller thanks to its incredible versatility, performance and compact size/reach ratio. At only 12 ft. long without the basket, it remains one of the smallest lifts boasting almost 60 ft work height. Like most of the Bluelift range it is offered in 3 power versions:

- **Standard** with the choice of either a Honda gas or Hatz diesel engine
- **Lithium Only** offering an all-electric battery unit
- **COMBO** offering both the choice of combustion engine and the Lithium Battery pack.

The Bluelift B59 comes standard with two identical control panels: The wireless remote allows the operator optimal drive view to position the unit safely. The wired control panel in the basket eliminates the need for swapping control boxes, and also serves as back-up should the wireless remote control be lost or malfunction. As all Bluelift units, the Bluelift B59 is easy to transport, operate and most importantly your safest solution when working temporarily at height. With its 2 ft 7 in width the Bluelift B53 will enter through any single in- or outdoor access point, and its non-marking tracks will leave no smear marks on its way.

The Bluelift B59 COMBO has become a rental favorite with its dual, independent power solutions, offering optimal use of the unit both in- and outdoor.

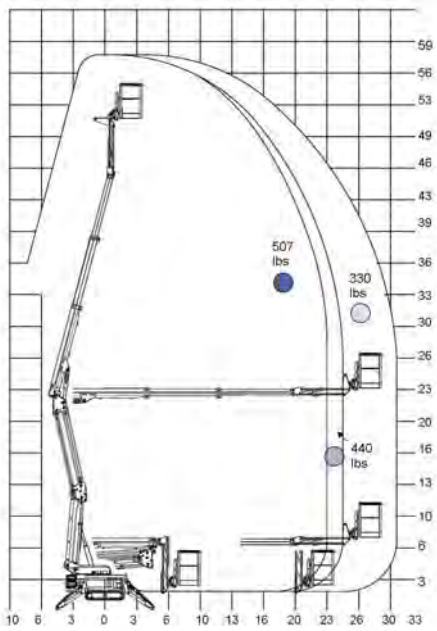
Model

B59

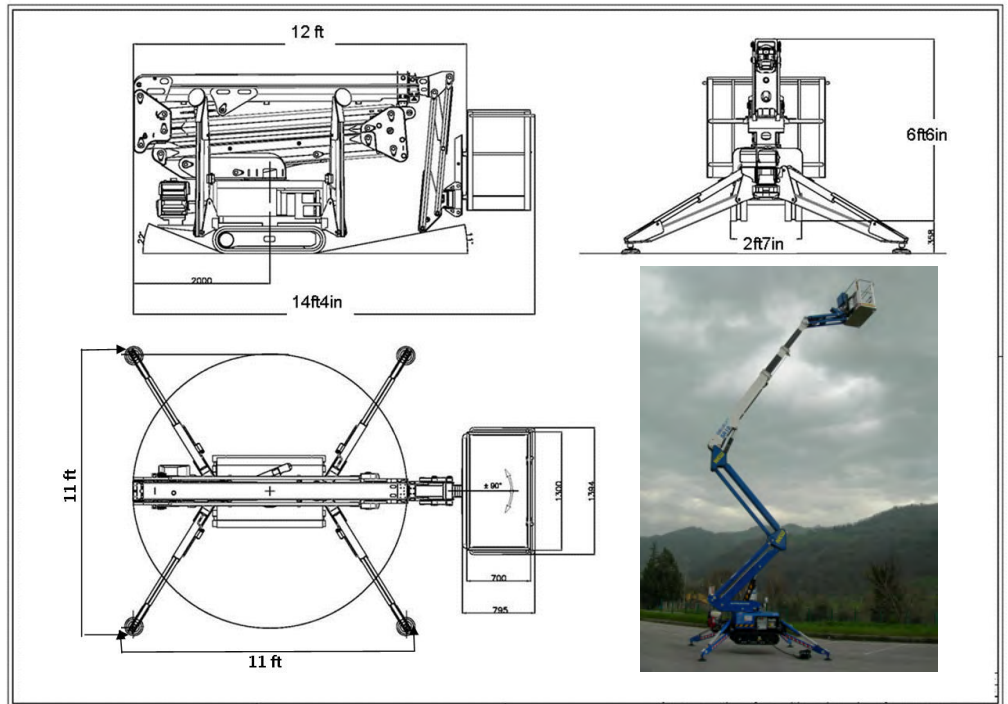
Working height	59ft
Platform height	53ft
Max outreach	
330 lbs/basket	30ft5in
440 lbs/basket	26ft
507 lbs/basket	24ft5in
Basket dims	4ft3¼in x 2ft3½in
Basket rotation	+/-90°
Turret rotation	340° non continuous

Height	6ft6in
Length (w/o basket)	12ft
Length (w/ basket)	14ft4in
Width (w/o basket)	2ft7in
Footprint	11ft X11ft
Weight (approx)	5070lbs
Max pressure, tracks	8.85 psi
Max pressure, footplate	83.90 psi
Track size (per track)	44in X 6½in
Foot pad size (per pad)	48½sq in
110V drive motor	Standard
Honda, iGX390	Standard
Hatz diesel engine	Option

We reserve the right to alterations



B59 - WORKING DIAGRAM



B59 BLUELIFT

Standard Specifications:

- Hydraulic Leveling platform with closed circuit
- 180° (+/-90°) basket rotation
- Protection of outrigger cylinders
- Non marking tracks
- Self propelled
- 110V emergency drive motor
- Honda iGX390 engine
- 340° non cont. turret rotation
- Manual pump for emergency lowering
- Width of only 2ft7in
- 2 person basket

Options:

- Track width adjusting system
- Lithium battery hybrid
- Diesel engine

Additional Specifications:

- | | |
|--------------------|------------|
| Jib working angle | -100°/ 10° |
| Operating speed | 0.9mph |
| Drive gradability | 15°/28% |
| Set-up gradability | 10°/18% |

