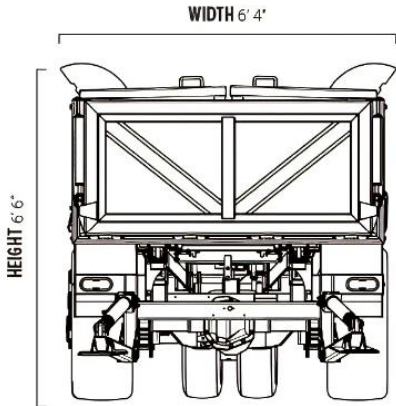
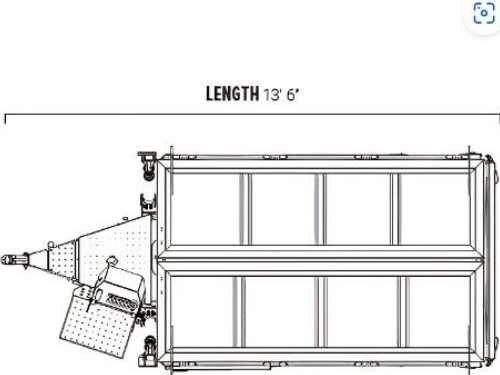


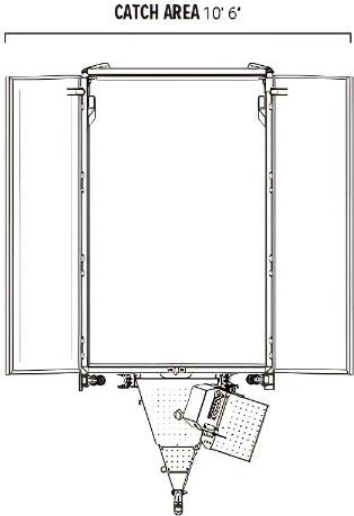
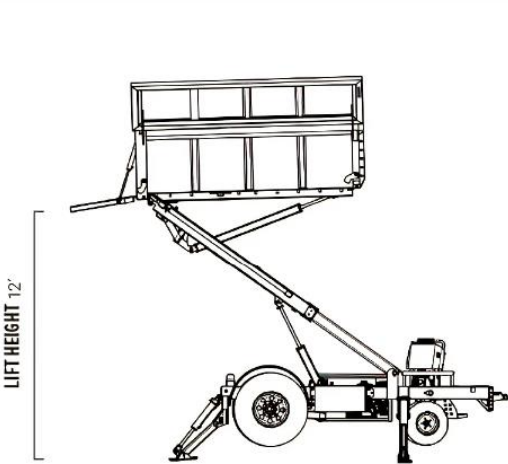
THE EQUIPTER 4000 ROOFING TRAILER

SPECS

TRANSPORT POSITION



WORK POSITION



GENERAL INFO

GVWR	7,500 lbs.	Job Site Lift Capacity	4,000 lbs.
Trailer Tare Weight	3,960 lbs.	Container Size	104"x64"x29" (4.1 cu. yds.)
Tongue Weight (Empty)	690 lbs.	Warranty	2 years
Trailer Towing Capacity	3,540 lbs.		

SAFETY

Outriggers	Four outriggers (one at each corner) to be used any time the container is not in transport condition
Inclinometer	An inclinometer level by the operator's stand to ensure the unit is level and stable
Lift Safety	Counterbalance safety valves in lift hydraulic circuits
Enclosure	Engine enclosed with lockable sheet metal to protect against theft/vandalism

TRAILER

Frame Material	Rectangular Steel Tubing 2x6"
Frame Welds	All welds continuous, both sides, top and bottom
Tongue Hitch	2 5/16" Ball hitch (adjustable height)
Tongue Jack	Hydraulic lift on the front wheels
Tongue Chains	3/8" safety chains; tensile strength of each chain equal to the weight of the trailer
Axle	Dana rear axle
Axle Brakes	Equipped with electric drum brakes and break-away
Wheels	315/75 R16 Load range E Aluminum alloy 8-bolt
Wheel Fender	Wheels protected by half-circle fenders
Electrical	LED lights, 6 Marker lights, 2 Tail lights
Electrical Connector	RV plug, 7 prong
Tail Light Housing	Tail lights to be hermetically sealed and protected inside steel plate housing
License Plate	Equipped with license plate holder and light

HYDRAULICS

Hydraulic Tank	15 gal capacity, Thermometer/oil level gauge, 6" clean-out door for maintenance
Hydraulic Filter	10 Micron Spin-on Type
Hydraulic Pump	Hydrogear, producing a minimum 5 gpm
System Pressure	System Pressure set to auto relief at 2,300 PSI