

JIBBI

52 EVO



WANT A LIFT
RENTAL



PRO ACTIVE LEVELLING

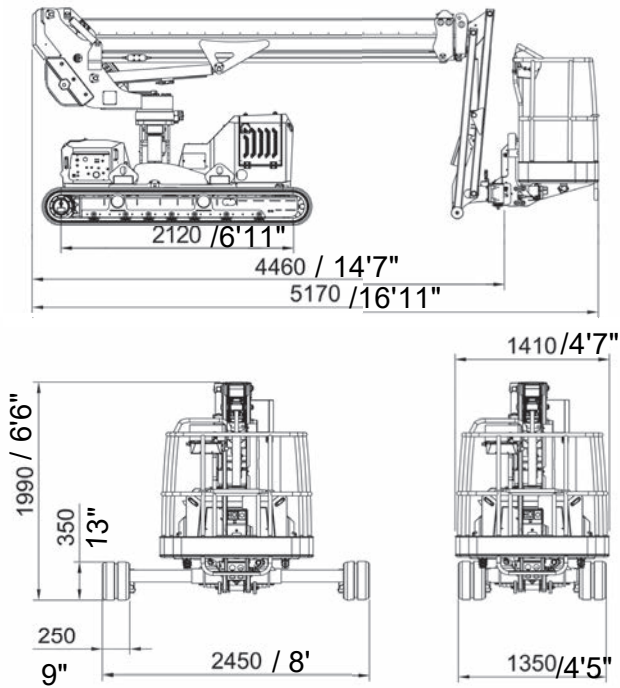
DYNAMIC LEVELLING

PATENT PENDING

TRACK TELESCOPIC BOOM

JIBBI 52 EVO

52ft Compact R/T track based lift



Integrated Drive System
with single joystick



Cable remote console by AUTECH

Basket rotation

+/- 70°



Turret rotation

+/- 110°



Adjustable Tracks

Variable width

4 ft5in - 6ft2in - 8ft

Almac
Remote Control Panel



JIBBI 52 EVO

Technical data



52ft	Max working height
46ft	Max height basket floor
32ft	Moving height
27ft 7in	Max outreach (load 176 lb)
25ft 3in	Max outreach (load 308 lb)
22ft	Max outreach (load 507 lb)
+/-110°	Rotation angle
4ft 7in x 2ft 3in	Basket size
+/- 70°	Basket rotation angle
507 lb	Max basket capacity
16ft 11in (14ft 7in)	Length in stowed position (with detached basket)
4ft 5in	Min width in stowed position
6ft 2in	Medium working width
8 ft	Max working width
6ft 6in	Min height in stowed position
+/- 15°	Longitudinal leveling
+/- 15°	Lateral leveling
25°	Max gradeability
25°	Max side gradeability
1.15 mph	Drive speed (fast)
.25 mph	Speed over transport condition

Weights

0.5 psi	Ground pressure
8487 lbs	Total weight

Power

3TNM68 -AS Yanmar engine (diesel) 14 kW - 19,2 Hp @3600rpm

Standard

Options available

- Non-marking tracks	-	Wide Basket 5'10" X 2'3"
- Radio Remote Control	-	Wireless remote control with rechargeable battery
- Yanmar 3TNM68-AS Diesel 14 kW - 19,2Hp @3600rpm	-	Arctic lubricant for cold climate
	-	Winch kit 440 lb
	-	Ultrasonic Anti-collision System

Basket size

Standard
4ft 7in

Optional
5ft 10in

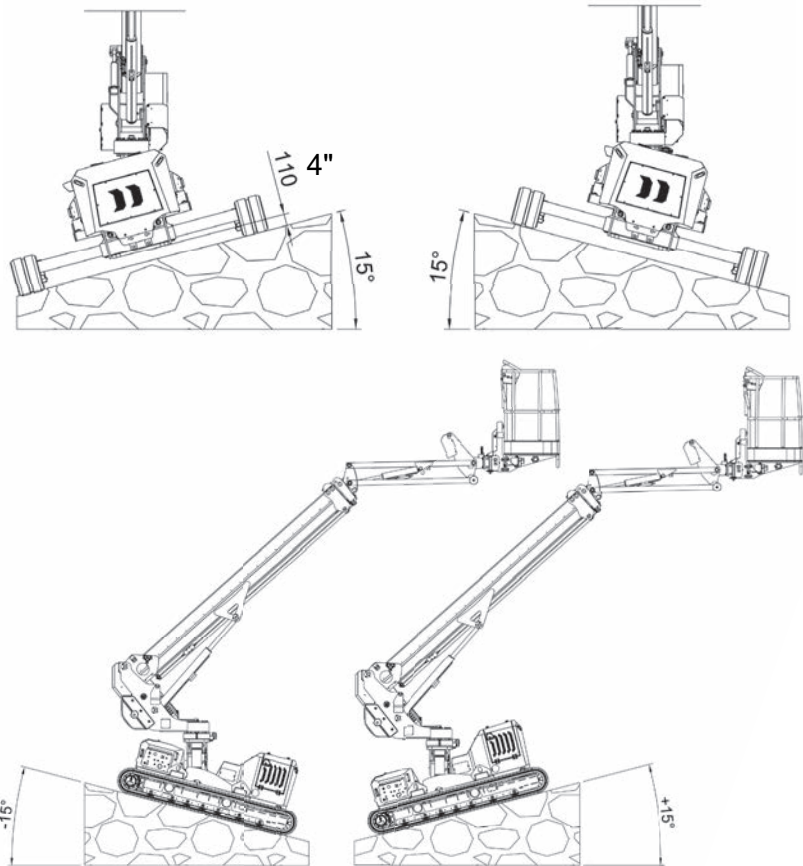
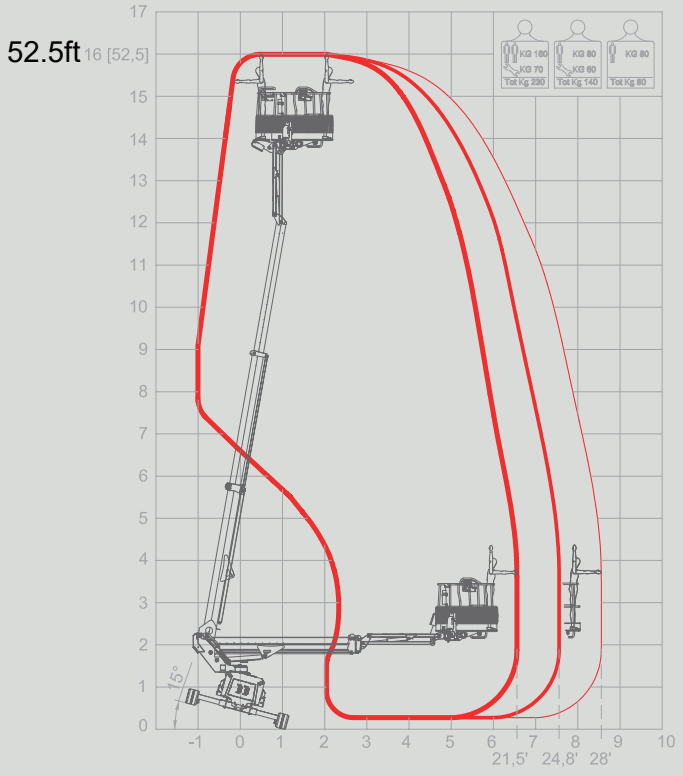
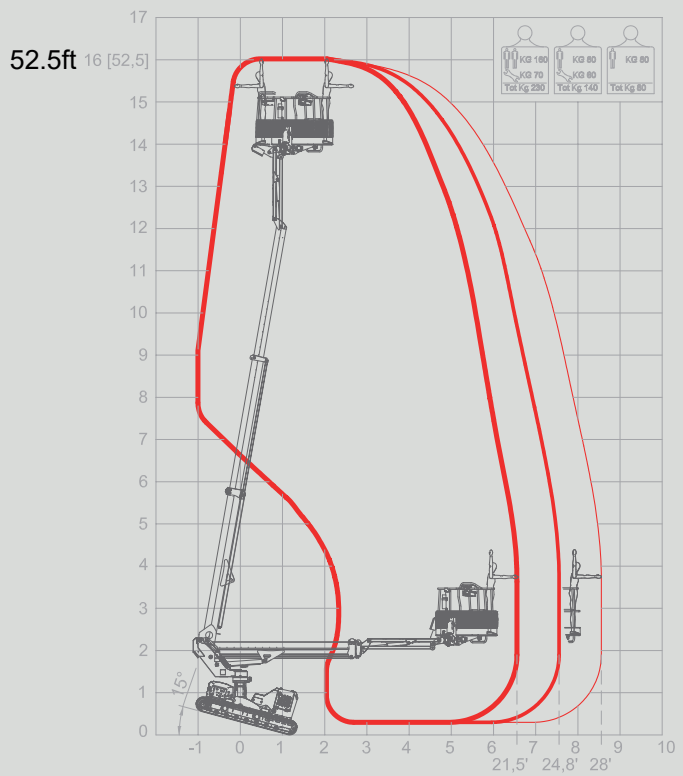


Optional
Winch

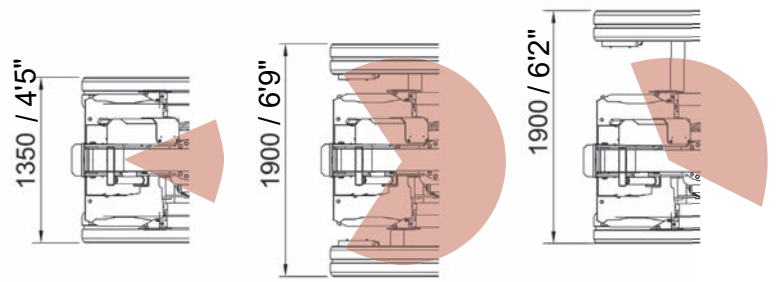
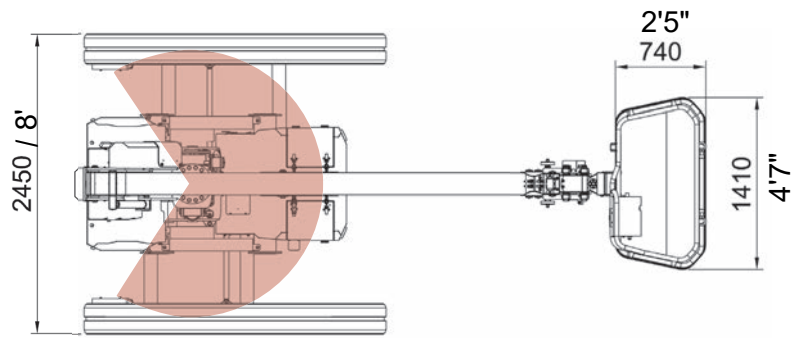
JIBBI 52 EVO

52ft	507 lb	19.2Hp	$\pm 15^\circ$	1.15mph	$\pm 15^\circ$
MAX W.H.	CAPACITY	POWER	LONG. LEVEL.	SPEED	LATER. LEVEL.

- 176 lb
- 308 lb
- 507 lb



UNDERCARRIAGE CONFIGURATIONS & WORKING AREAS



We reserve the right to alterations.



WANT A LIFT RENTAL

612-900-7738

www.wantaliftrental.com

ALL DATA REPORTED IN THIS CATALOGUE ARE NOT BINDING. ALMAC SRL RESERVES THE RIGHT TO CHANGE SPECIFICATIONS WITHOUT PRIOR NOTICE.